



44

Netter Dosing Station Series *DosyPack*



- Exact dosing
- High conveying performance
- Gentle and uniform dosing
- Adjustable fine or coarse flow
- All product-carrying parts made of stainless steel 1.4301
- High surface quality
- Quick and easy to clean



DosyPack 40



DosyPack 56



DosyPack 80

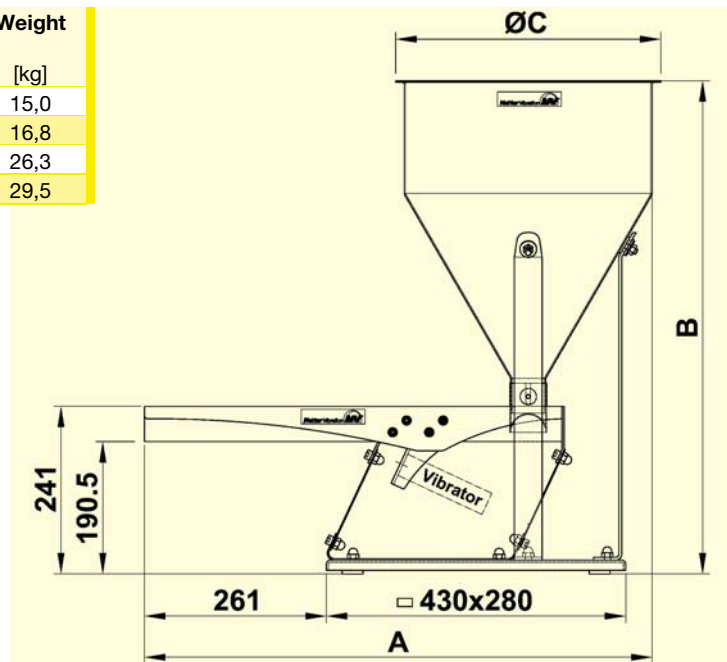


Netter Dosing Station Series *DosyPack*

Product Characteristics			Feed Rate [g/s]	Noise Level [dB(A)]
Example	Grain Density [kg/ dm ³]	Grain Size [mm]		
Sand	1,54	0 - 1	0 - 260	56 - 75
Granulate	0,70	1 - 3	0 - 150	56 - 75
Plastic caps	0,20	Ø 10	0 - 25	56 - 73

The technical data relate to the examples given and can vary, depending on the product.

Type	A [mm]	B [mm]	ØC [mm]	V (Container volume) [l]	Weight [kg]
<i>DosyPack 25</i>	729	710	381	25	15,0
<i>DosyPack 40</i>	729	860	381	40	16,8
<i>DosyPack 56</i>	805	844	533	56	26,3
<i>DosyPack 80</i>	805	994	533	80	29,5



Dosing port at the silo outlet

Applications

DosyPack dosing stations are particularly suitable for the fast and exact dosing of all types of bulk material, or as feeders for optical sorting facilities. Gentle dosing is possible for especially sensitive products.

Design and functioning principle

The dosing station basically consists of a conveyor channel mounted on leaf springs and a silo. All product-carrying parts are made of brushed stainless steel ($R_a=0,25$, $R_z=1$), all other parts are made of corrosionresistant and physiologically harmless materials.

Because of the functional design *DosyPacks* are fast and easy to clean. This allows it to be used even under the extreme hygienic conditions demanded by the chemical, pharmaceutical and food industries.

The flow rate can be varied with the dosing port at the silo outlet.

Two compressed air linear vibrators, of type NTS 250 NF or type NTK 18 AL + SM 16-1, are available. They work without running on, so that the product flow is immediately interrupted, once the vibrators are switched off.

The exact feed quantity is regulated by adjusting the frequency and amplitude of vibration. Both can be independently adjusted. Increasing the supply pressure causes an increase in the frequency. The amplitude can be adjusted by regulating the optional throttle.

A multi-directional valve is required for operation (not supplied).

In addition to the standard versions, series *DosyPack* dosing stations are also available in customized designs. Furthermore, all individual components can be supplied separately.

Permissible operating conditions

Drive medium:

Compressed air or nitrogen (filter $\leq 5 \mu\text{m}$), preferably with oil mist

Operating pressure:

2 bar to 6 bar

Ambient temperature:

5°C to 60°C

Netter Vibration offers the accessories required for mounting, installation and control of vibrators and interval impactors.

Netter provides solutions.

Consult our experienced application technicians.

Netter GmbH

Germany

Fritz-Ullmann-Str. 9
55252 Mainz-Kastel
Tel. +49 6134 2901-0
Fax +49 6134 2901-33

United Kingdom

2 Sandpiper Close
Station Road
Hednesford, WS12 4RN
Tel. +44 1543 424990
Fax +44 1543 423196

Switzerland

Erlenweg 4
4310 Rheinfelden
Tel. +41 61 8316200
Fax +41 61 8311291

www.*NetterVibration*.com
info@*NetterVibration*.com